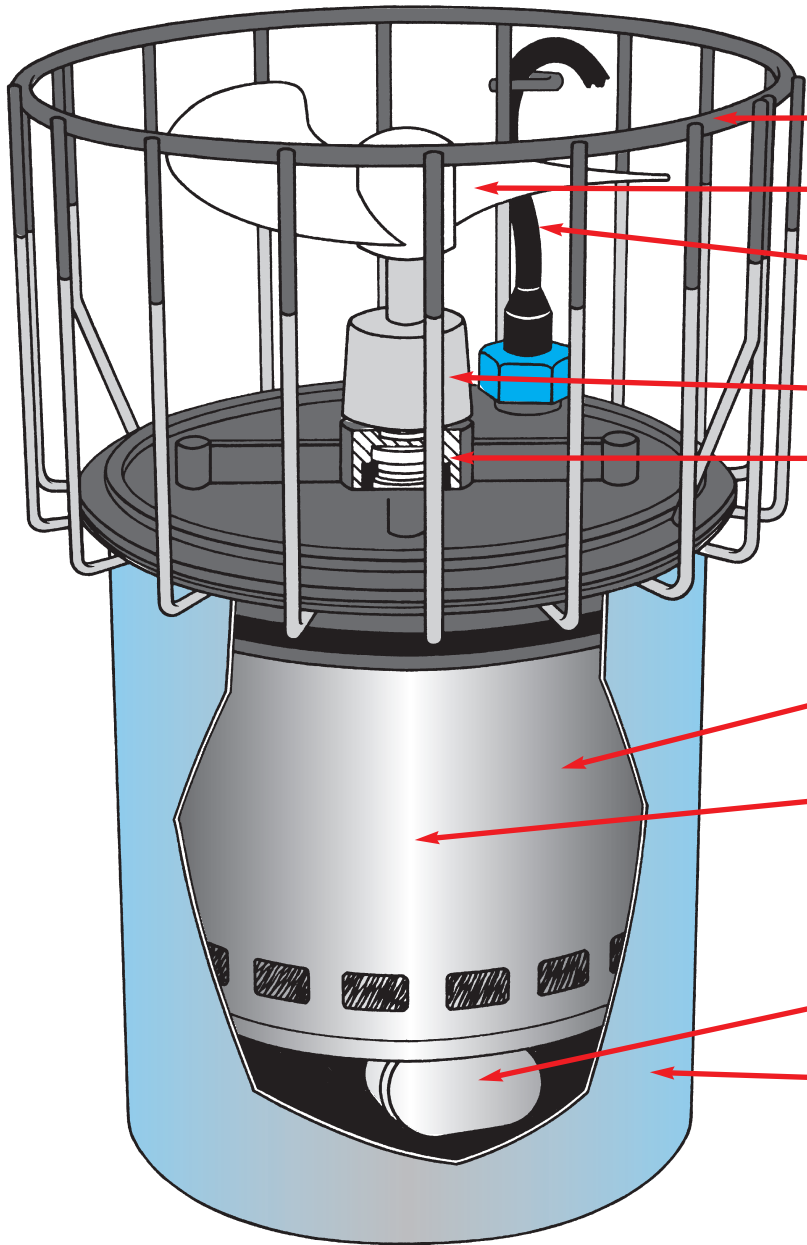


# Featuring the very best in de-icer energy efficiency and durability... pioneered by Kasco® Marine.



## 2 YEAR LIMITED DE-ICER WARRANTY

**SUSPENSION ROPES** — hollow braided polypropylene. 20 feet x  $\frac{5}{16}$  inch, 2 lengths attached.

**STAINLESS STEEL SAFETY CAGE** — for propeller protection. Vinyl coated for easy handling.

**PERFORMANCE PROPELLERS** — specially pitched for maximum thrust and minimum power usage.

**POWER CABLE** — 25 foot water and oil resistant power cable with cold weather flexibility to  $-50^{\circ}\text{F}$ . Exterior water-tight connection for easy on-the-spot replacement. Optional lengths are available.

**ZINC ANODE** — renewable anode for corrosion protection due to electrolysis.

**SEALS** — Kasco Dual-Sealed system. Hard face internal mechanical oil seal and outside lip seal for double protection against leaks.

**SHAFT** — #316 series stainless steel, approved for salt water use.

**BEARINGS** — ball type, top and bottom. Flood oil lubricated for excellent heat dissipation.

**OIL** — large capacity dielectric oil provides maintenance-free lifetime lubrication, maximum cooling and protection against failure due to moisture contamination.

**MOTOR** — custom designed, continuous duty 120V single phase, oil immersed and overloaded protected with fully automatic reset.

(240V 3/4 and 1 H.P. models are available by special order)  
 F2400/D, 1/2 H.P. with 26 lbs. of thrust – 5.0 amps at 120V  
 F3400/D, 3/4 H.P. with 34 lbs. of thrust – 6.7 amps at 120V  
 4400/D, 1 H.P. with 52 lbs. of thrust – 11.2 amps at 120V

**CAPACITOR** — permanent split capacitor (PSC) insures quick high torque starts and smooth operation.

**MOTOR HOUSING** — corrosion-resistant stainless steel, a must for salt water operation.

**Motor exceeds NEMA specifications**

**Shipping weight** — F2400/D, 25 lbs.  
 F3400/D, 35 lbs.  
 4400/D, 40 lbs.

**Overall dimensions** — F2400/D, 9" x 11  $\frac{1}{2}$ "  
 F3400/D and 4400/D, 9" x 14"

Kasco Marine knows the relationship between quality, dependability and energy efficiency. That's why Kasco has de-icer water agitators in use all over the United States, Canada and Europe. Today's Kasco De-icers are the result of over 35 years of experience in the design and manufacture of superior water agitator equipment. Compare and you'll choose the best — Kasco De-icers.

**The combination of the extremely energy efficient Kasco De-icer with the C-20 Time and Temperature Control gives the maximum energy conservation and lowest operating cost.**